

# FT-30M RAM dash mount



Component parts

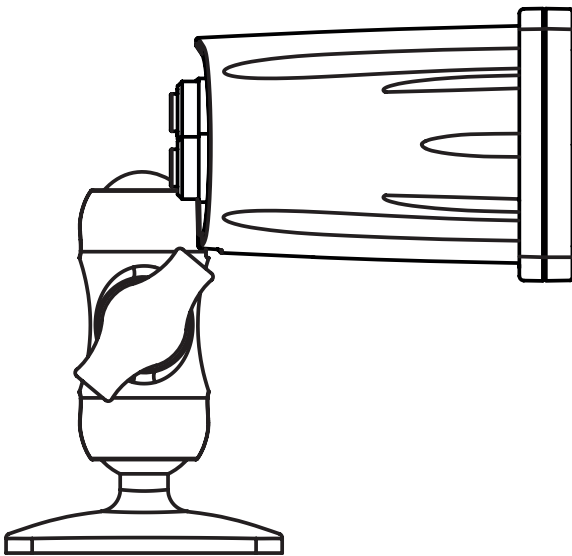


## product description

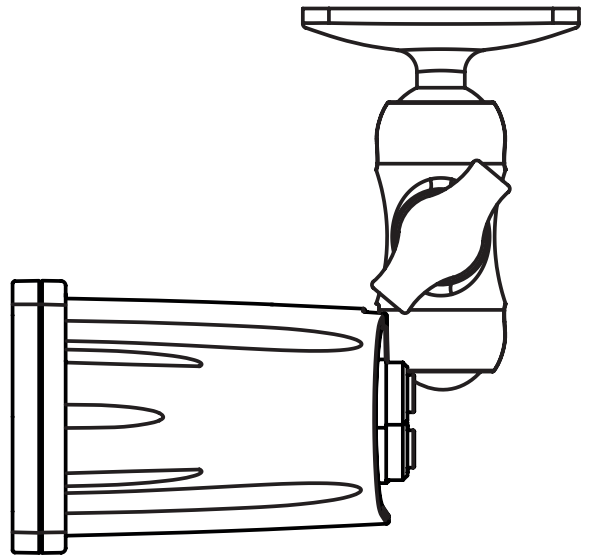
The FT-30M RAM mount is made up of three component parts, forming a versatile dash/cabin mounting solution for the FT-30M on-board weighing indicator.

The RAM bracket is ordered separately.

## product drawings



Dash mounted configuration



Cabin roof mounted configuration