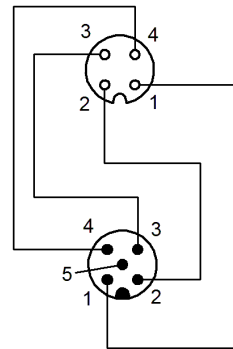
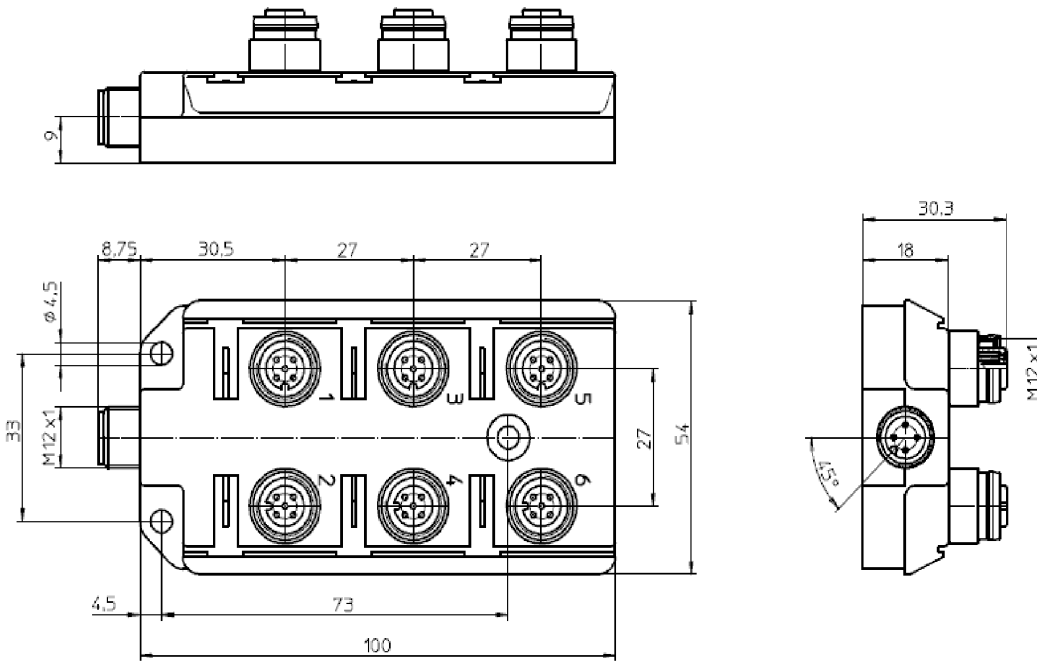


RoHS ✓



Typ/ type	Anschluss- möglichkeit/ connection alternative	Polzahl/ number of ploes	Steckerbelegung/ plug connection
ASBS 6 5 P11	6-fach/ 6-fold	4	 1 = braun/ <i>BN</i> 2 = weiß/ <i>WH</i>
		4	 3 = blau/ <i>BU</i> 4 = schwarz/ <i>BK</i> 5 = n.c.

The information/details in this datasheet merely contain general descriptions or performance factors which, when applied in an actual situation, do not always correspond with the described form, and may be amended by way of the further development of products. The desired performance factors shall only be binding if these are expressly agreed on conclusion of the contract.



**Product description**

Description	Adapter box with Fixcon connection for sensors and actuators with grounding conductor connection
Type	ASBS 6 5 P11
Order No	see page 3

**Technical data**

Operating voltage	30 V
Rated voltage	32 V
Rated impulse voltage	1,0 kV eff. / 60 s
Rated current *	4 A, in 40°C for each slot / 12 A max. for all
Pollution degree	3 acc. to DIN EN 60664-1 (VDE 0110-1)
Contact resistance	≤ 5 mOhm
Insulation resistance	> 10 <sup>9</sup> Ohm

**Materials**

Contact	CuZn, pre-nickeled and 0,8 microns gold-plated
Contact bearer	PA GF, self- extinguishing
Knurled screw	CuZn, nickeled
Hexagon nut	CuZn, nickeled
Housing	TPU, self- extinguishing
O-ring	FKM

**Environmental conditions**

Protection class (IEC 60529) *	IP67
Temperature range	-15 °C / +80 °C

Good chemical resistance.

The resistance need to be approved in individual case.

\* only if mounted and locked in combination with Hirschmann / Lumberg connector.

**Accessories**

Scope of delivery	cap for unused connector housing lettering plates
-------------------	--

**Cutline**

Do not connect / disconnect under load.

## Standard products

Artikel-No.	Type
000-093-228	ASBS 6 5 P11